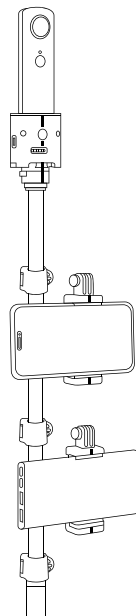
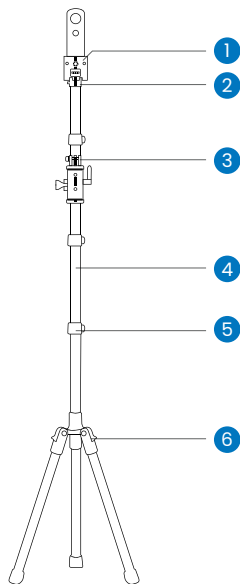


beamo | Starter Kit

Manual



Set Up Overview



Key

1. 360 Mount
2. Quick release head
3. Smart Holder
4. Tripod
5. Height adjustment flip-lock
6. Leg adjustment locks

Specifications

Materials: Plastic, aluminium

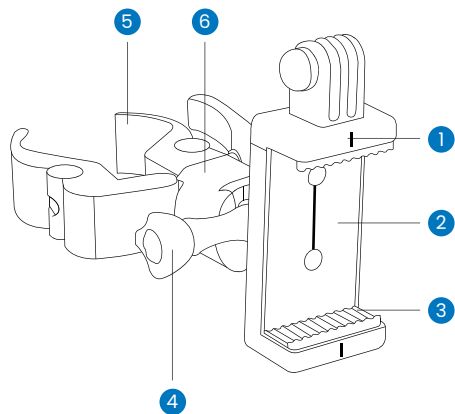
Weight: 900 g / 2.0 lbs

Max load: 4.0 kg / 8.8 lbs

Fold height: 50 cm / 19.5 in

Maximum height: 200 cm / 78.7 in

Accessory: Smart Holder



Key

1. Alignment guide
2. Holder
3. Non-slip rubber
4. Long thumb screw
5. Clamp
6. Quick release lock

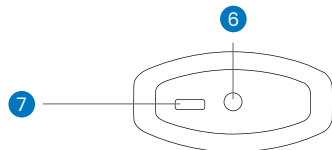
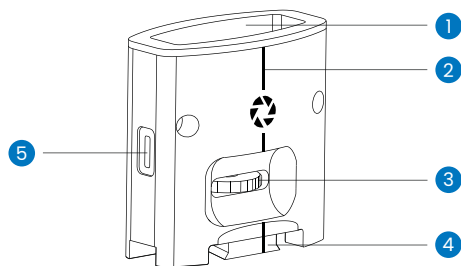
Specifications

Materials: ABS, nylon, aluminum

Size: 91 x 127 x 58 mm / 3.4 x 5 x 2.3 in

Weight: 200 g / 0.4 lbs

Accessory: 360 Mount



Top view

Key

1. 360° camera insert slot
2. Alignment guide
3. Thumb wheel
4. Quick release plate
5. USB-C port
6. 1/4 in screw
7. USB connector

Specifications

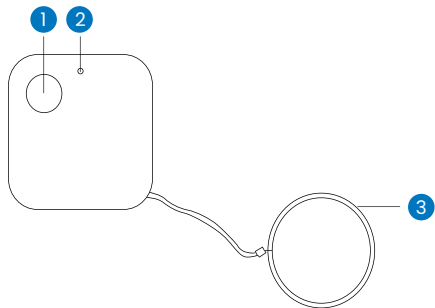
Materials: Aluminum

Size: 30 x 60 x 59 mm / 1.2 x 2.4 x 2.3 in

Weight: 136.0 g / 0.3 lbs

Compatible with either Ricoh Theta Z1, V, and SC2 depending on the Beamo Starter Kit version

Accessory: Remote



Key

1. Action button
2. LED status indicator
3. Key leash

Specifications

Supports Bluetooth Low Energy (BLE)

Frequency range: 2.402 - 2.480 GHz

Receiving sensitivity: -0.94 dBm

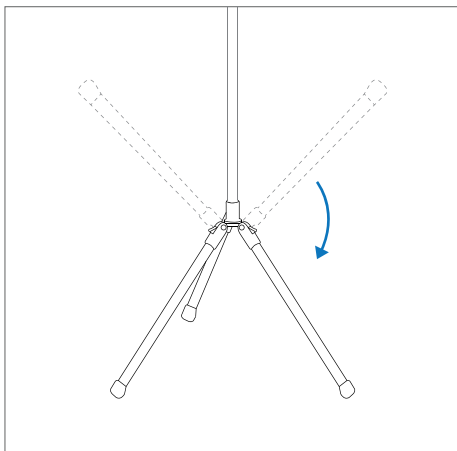
Operating environment: -20 to 70°C

Standby current: less than 3uA

Size: 38 x 38 x 7.3 mm / 1.5 x 1.5 x 0.3 in

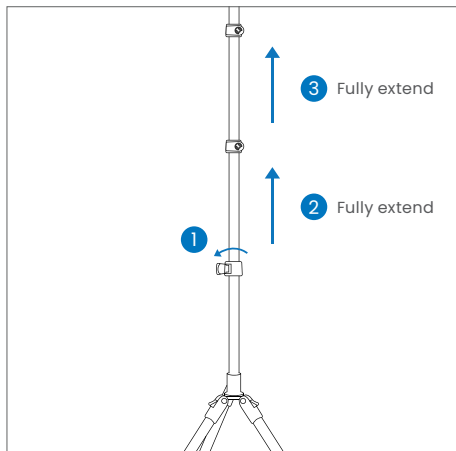
Weight: 11.0 g / 0.02 lbs

Set Up Guide



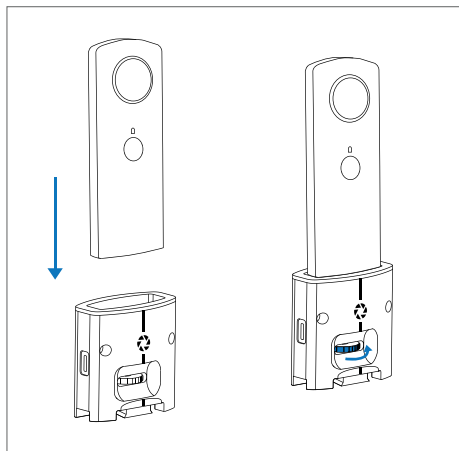
01. Unfold

Unfold the legs by lowering them until it locks into the 3rd click. Simply pull the legs outwards and they will automatically open up.



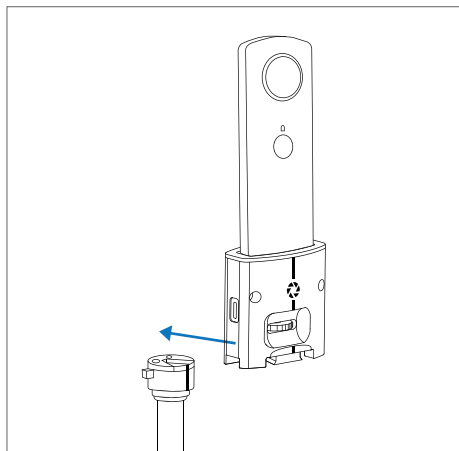
02. Set Height

Unlock and extend the bottom and middle sections fully.



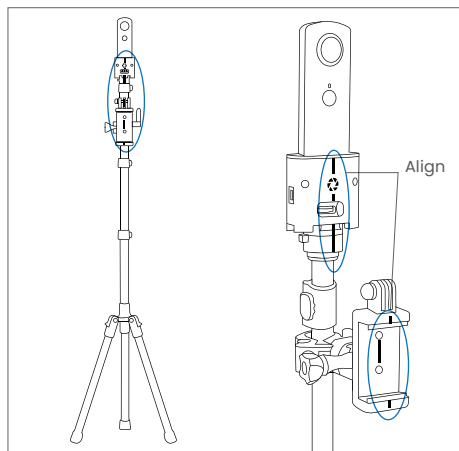
03. Attach the 360° Camera

Insert the 360° camera into the 360 Mount. Secure the 360° camera by rotating the thumb wheel tightly.



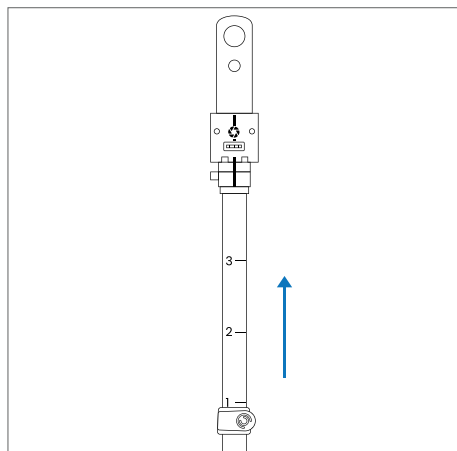
04. Set the 360 Mount

Place the 360 Mount on the tripod quick release head. It will automatically lock in place.



05. Align

Place the Smart Holder at chest level and rotate it so that the alignment guide of the Smart Holder and the 360 Mount match.



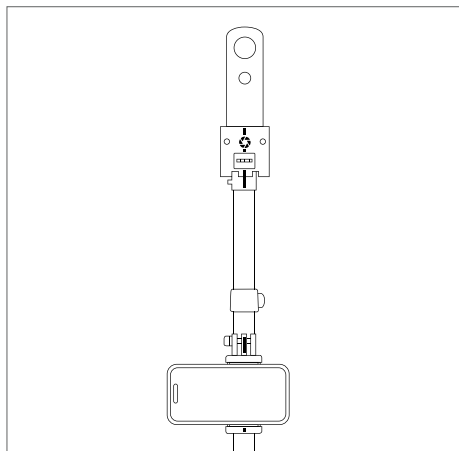
06. Define Preset

Extend the top section and check for the preset levels on the side (level 1, 2, or 3). Use this value as the tripod height from the Beamo App.



07. Beamo App

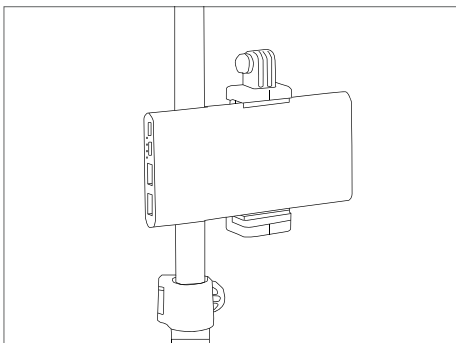
Configure your tripod settings from the Beamo App. To access the full manual, scan the QR code or go to **support.beamo.ai**.



08. Mount

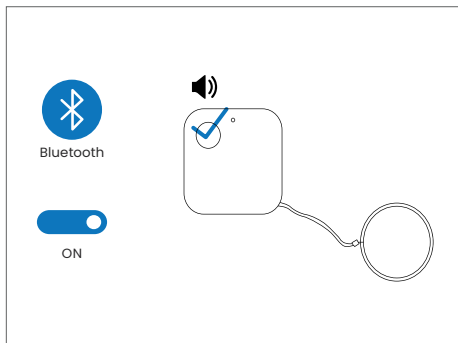
Once configured, mount the smartphone to the Smart Holder. Make sure all parts of the Tripod are locked and fastened securely before starting.

Optional



External Battery

1. To capture with an external battery, attach the second Smart Holder.
2. Attach the battery.
3. Connect with the cable.



Remote

1. Enable Bluetooth from your smartphone. Go to the Beamo App and from the capturing screen, open settings and toggle Remote.
2. Hold the Remote action button for 2-3 seconds until you hear two short beeps.
3. It is now connected.

Additional Information



Get the App!

Search **Beamo.ai** from the iOS App Store or scan the QR code to download the Beamo App.



Need more information?

Scan the QR code or go to **support.beamo.ai** to access the support page.